

Drain ball valves

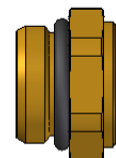
Art. 4432 - 5001 - 5002



100% MADE IN ITALY 

Function

Pintossi+C drain ball valves are normally used for draining fluids from water systems on different circuit points like boilers, manifolds, etc.
The sealing is guaranteed by **PTM system** (Pintossi soft sealing), which allow a quick and safe installation, without the use of additional sealing materials, like hemp or PTFE ribbon.
Yellow brass finishing.



Product range

Art.4432	1/2"x 3/4"	Mini drain ball valve with swivel nut
Art.5001	1/2"x 3/4"	Mini drain ball valve
Art.5002	1/2"	Mini drain ball valve with hose connection and plug

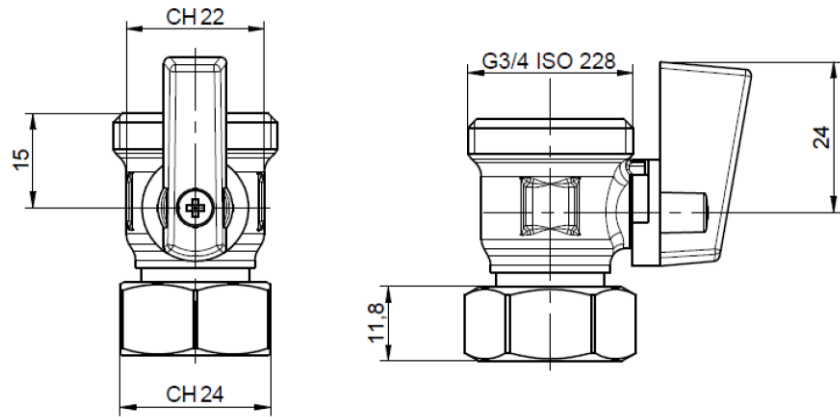
Technical specifications

Fluids:	Water or glycol solutions
Max. glycole:	50%
Max. working temp.:	100°C
Max. working pressure:	10 bar

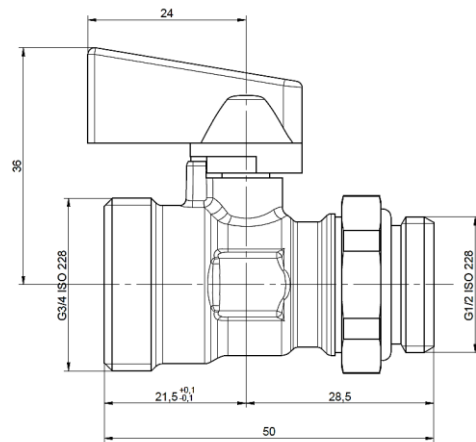
Materials

Body:	Brass CW617N
Ball:	Brass CW617N chromed plated
Hose and plug:	Brass CW614N
Seat:	PTFE
Gaskets:	NBR
Handle:	Glass fiber

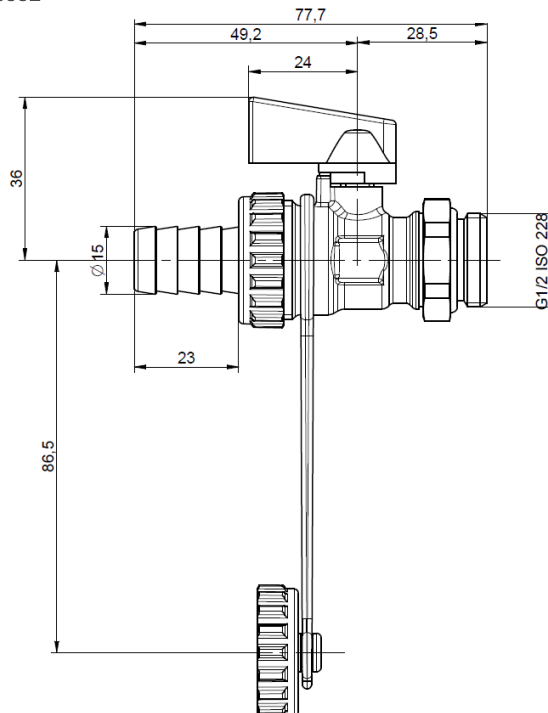
ART. 4432



ART. 5001



ART. 5002



Fluid characteristics

Reference standard for water treatments in heating systems is Norm UNI 8065:2019 which regulates the parameters that must be observed to avoid scale and corrosion phenomena.

In order to grant product warranty, the fluid characteristics must comply with the rules in force in the country of relevance or at least present features not less to the ones prescribed by the Norm UNI 8065:2019.

In particular, minimum standards necessary but not sufficient to control are the following:

Fluid aspect: Limpid

PH: Between 7 and 8

Iron (FE): < 0,5 mg/kg (< 0,1 mg/kg for steam)

Copper (CU): < 0,1 mg/kg (< 0,05 mg/kg for steam)

Antifreeze: Passivated Propylene Glycol

Conditioning: as indicated by the producer

In any case when using antifreeze and conditioning solutions, is required to control and verify the correct compatibility between these substances and the construction materials stated in Pintossi+C technical datasheet.